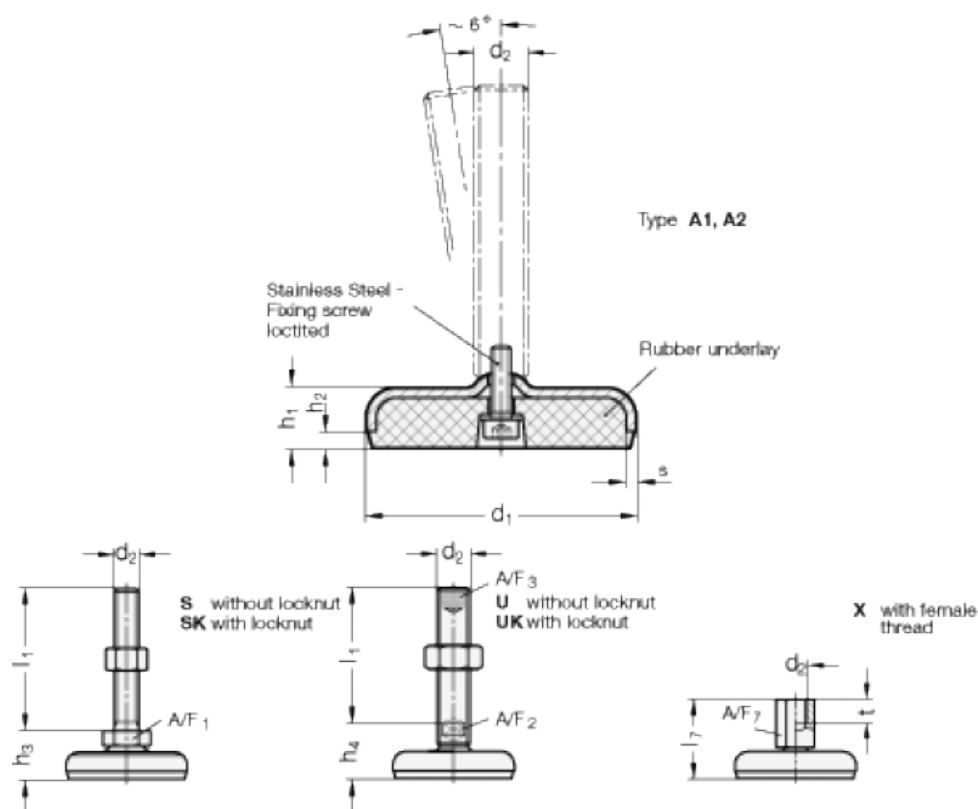


Data Sheet



Article number: 203050M1040A1X
Description: E+G levelling foot
GN 30-50-M10-40-A1-X
Note: X With female thread, Wxternal hexagon

Measures



A/F7 = 14
d1 = 50
d2 = M10
h1 = 14.5
h2 = 3.5
l7 = 40
s = 3
t = 10